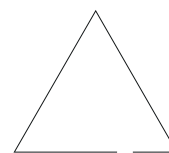
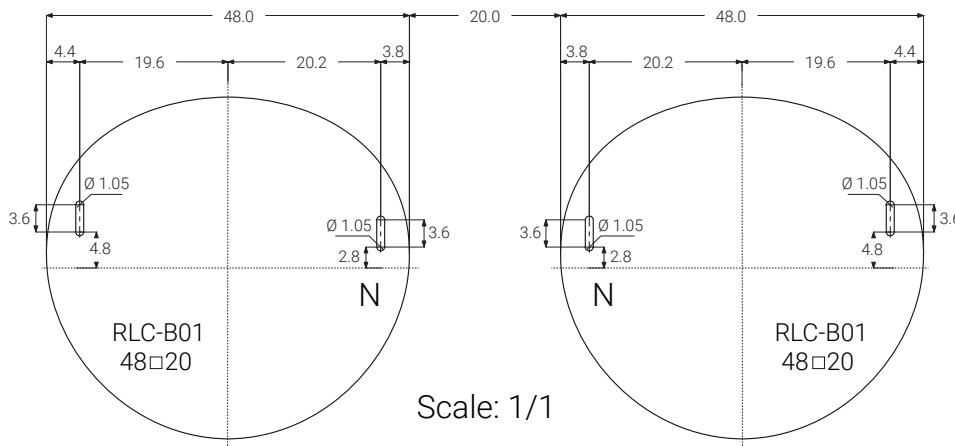


B-Form ALVAREZ - Slotting Coordinates (1/10)

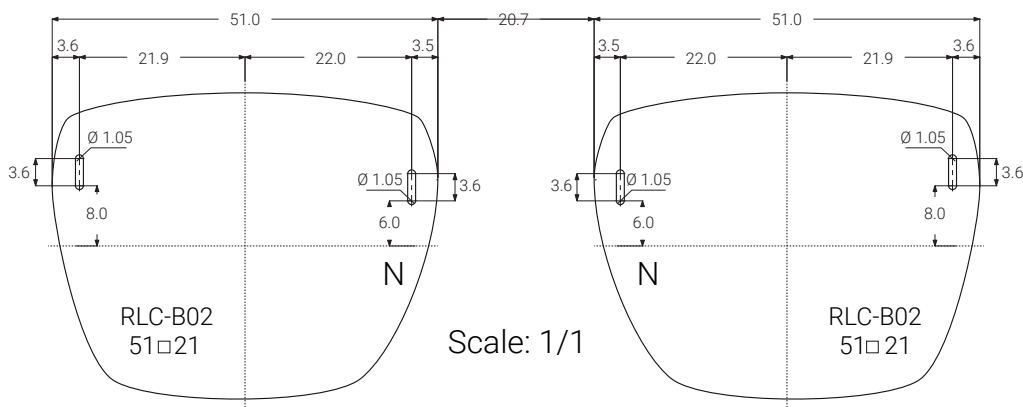


JOSÉ ALVAREZ

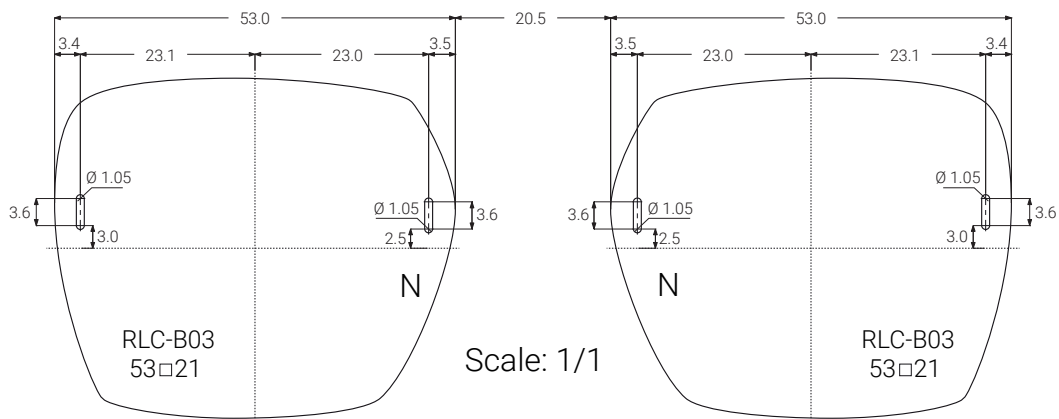
RLC-B01



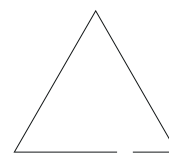
RLC-B02



RLC-B03

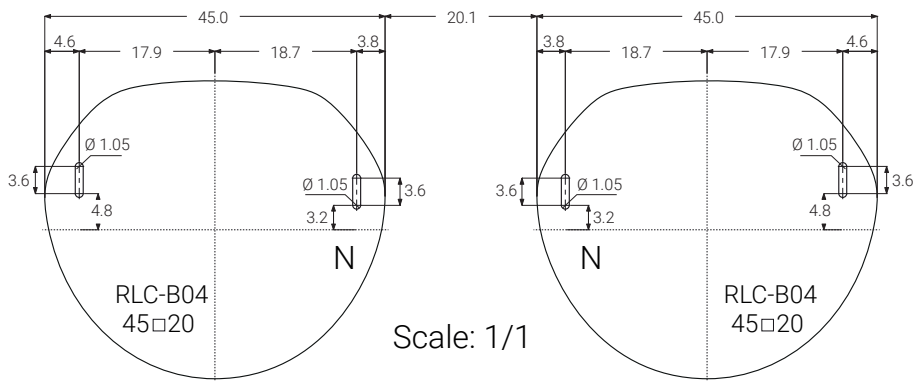


B-Form ALVAREZ - Slotting Coordinates (2/10)

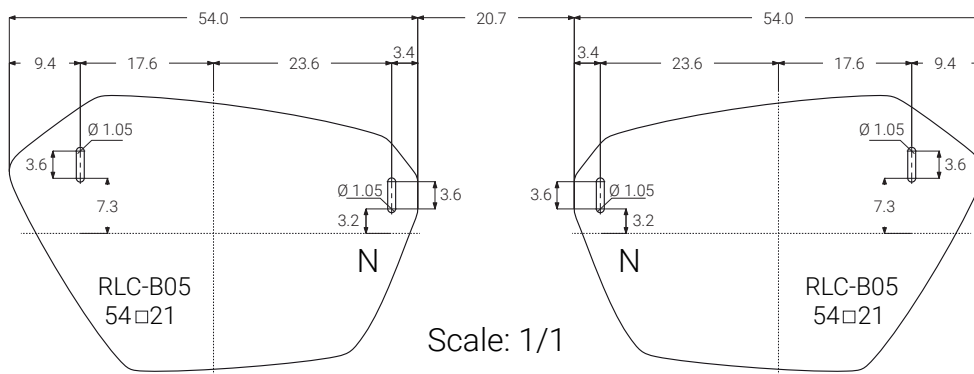


JOSÉ ALVAREZ

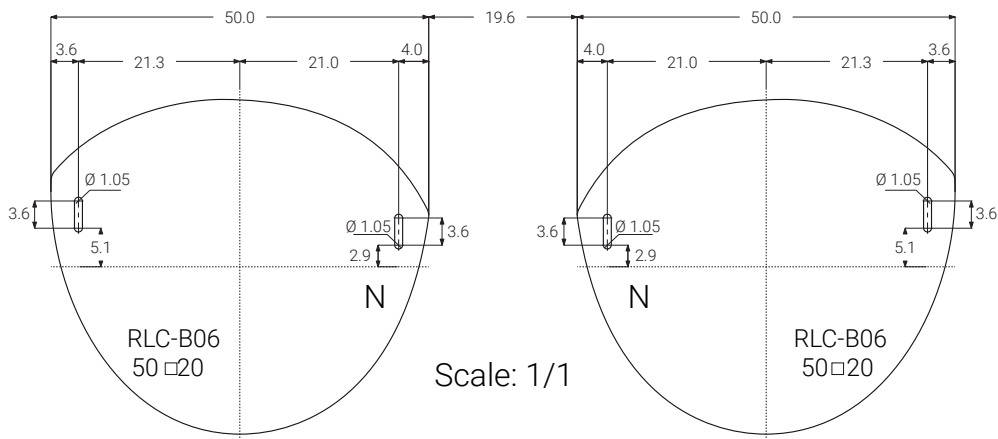
RLC-B04



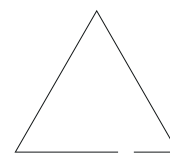
RLC-B05



RLC-B06

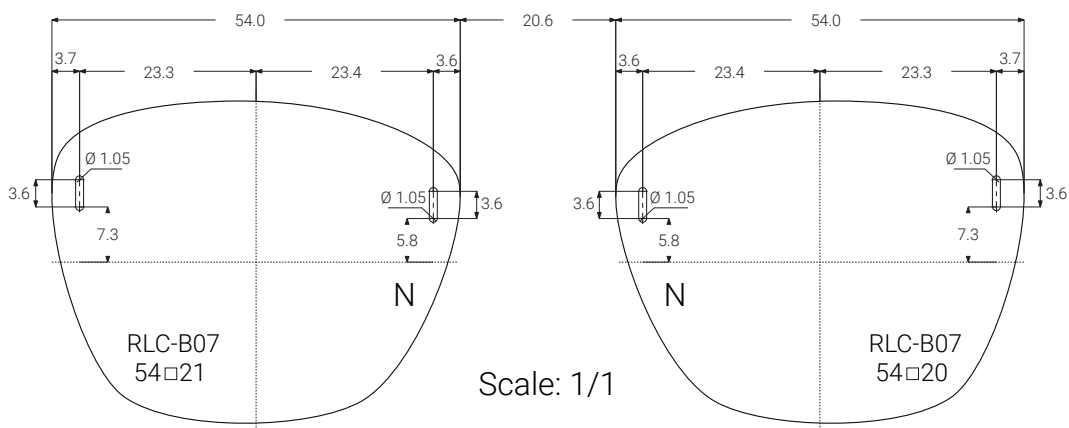


B-Form ALVAREZ - Slotting Coordinates (3/10)

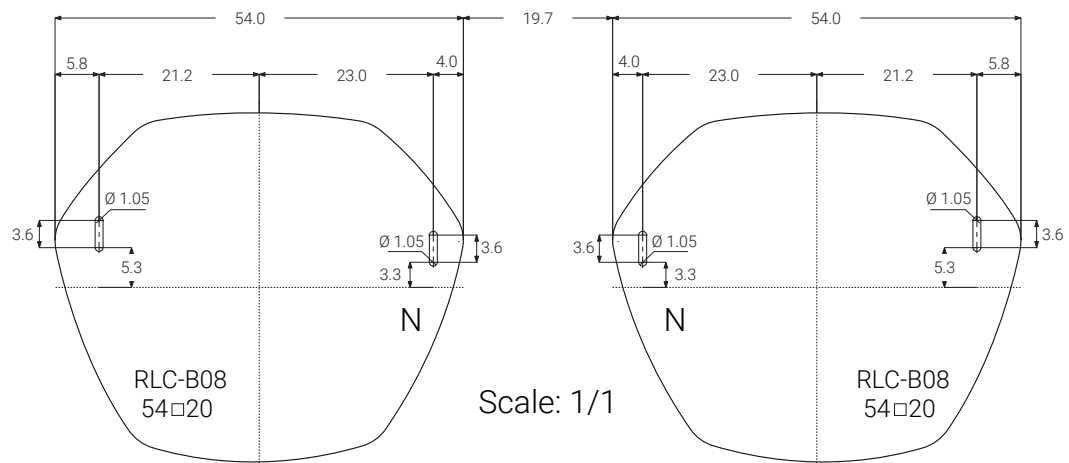


JOSÉ ALVAREZ

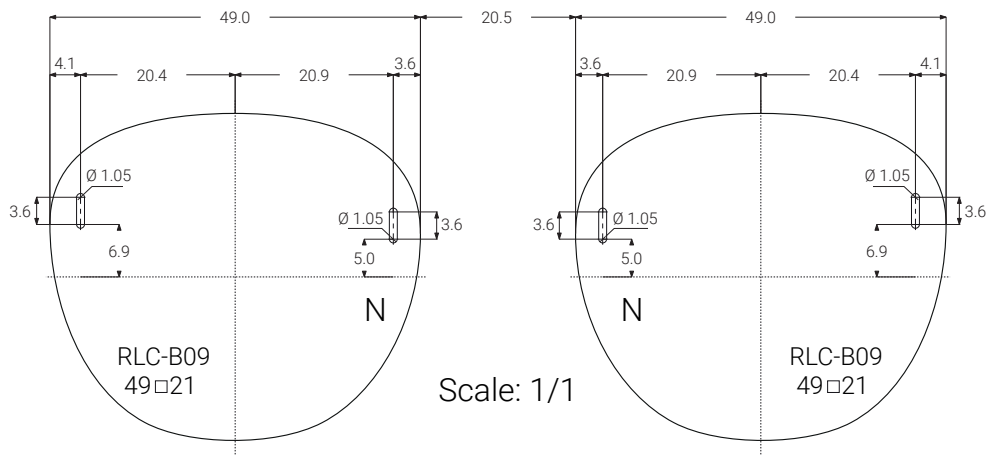
RLC-B07



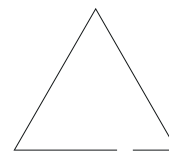
RLC-B08



RLC-B09

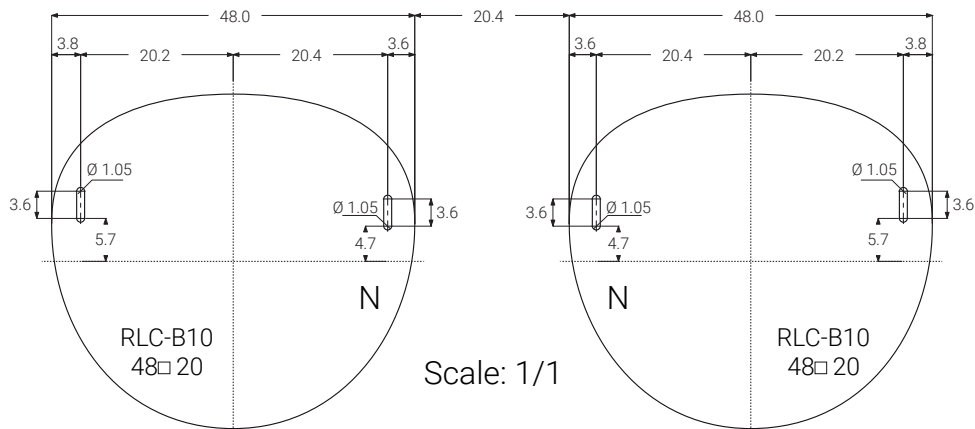


B-Form ALVAREZ - Slotting Coordinates (4/10)

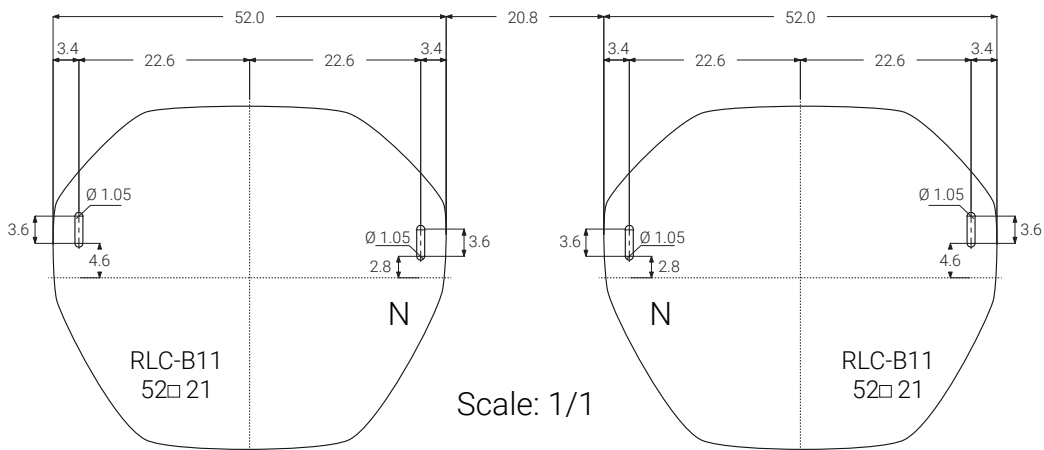


JOSÉ ALVAREZ

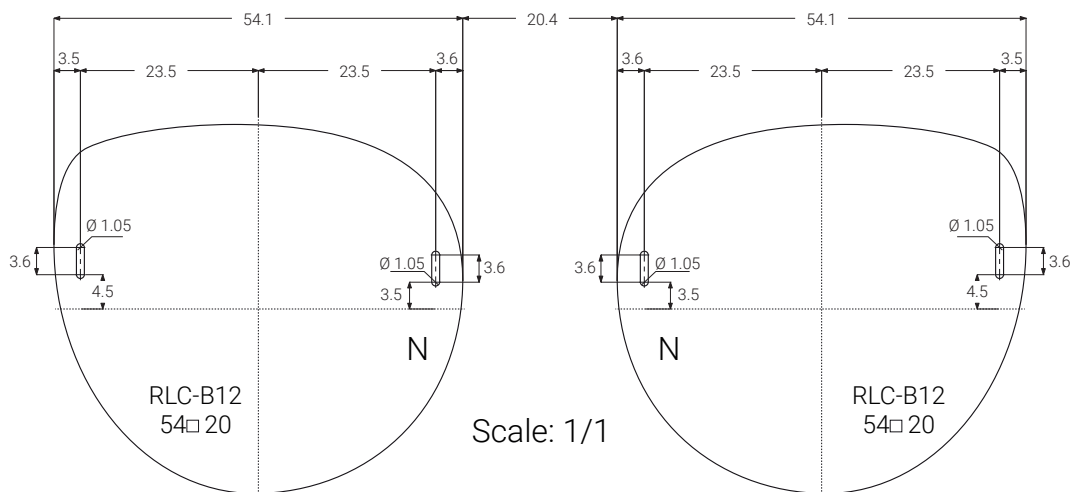
RLC-B10



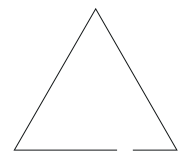
RLC-B11



RLC-B12

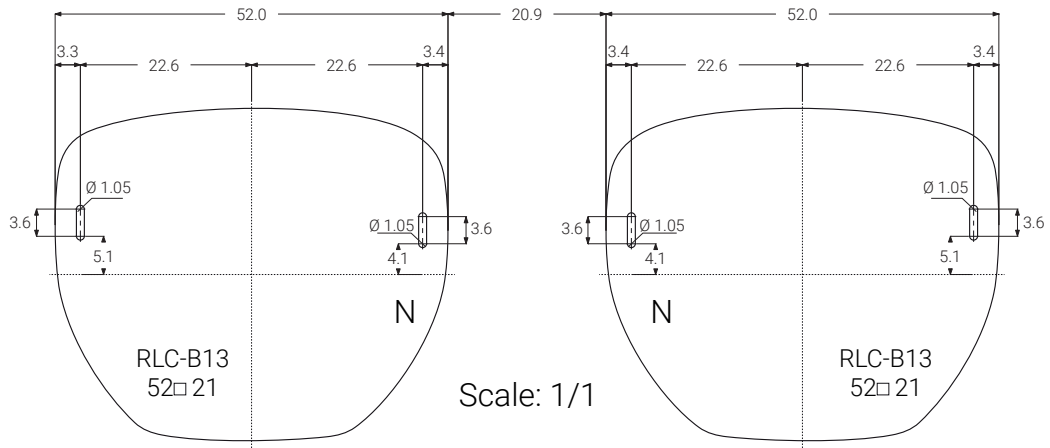


B-Form ALVAREZ - Slotting Coordinates (5/10)

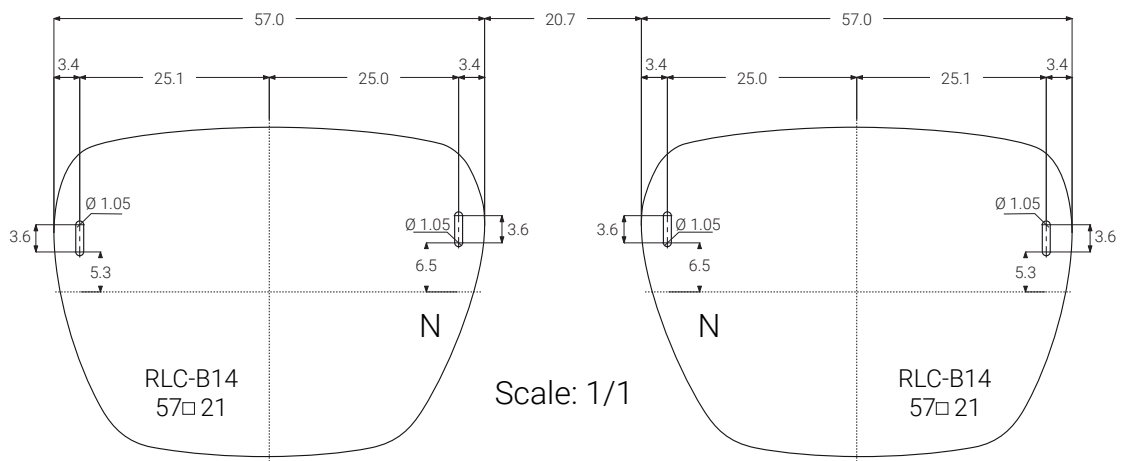


JOSÉ ALVAREZ

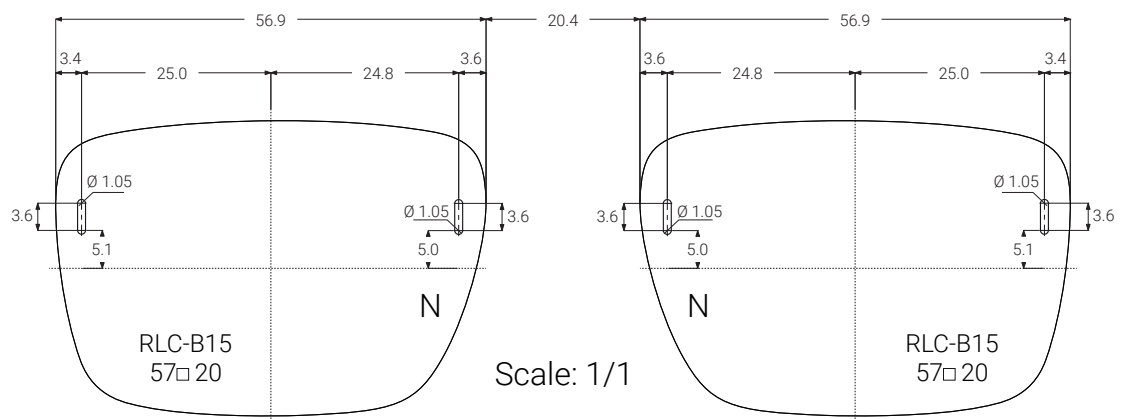
RLC-B13



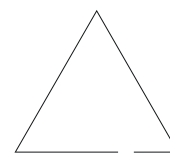
RLC-B14



RLC-B15

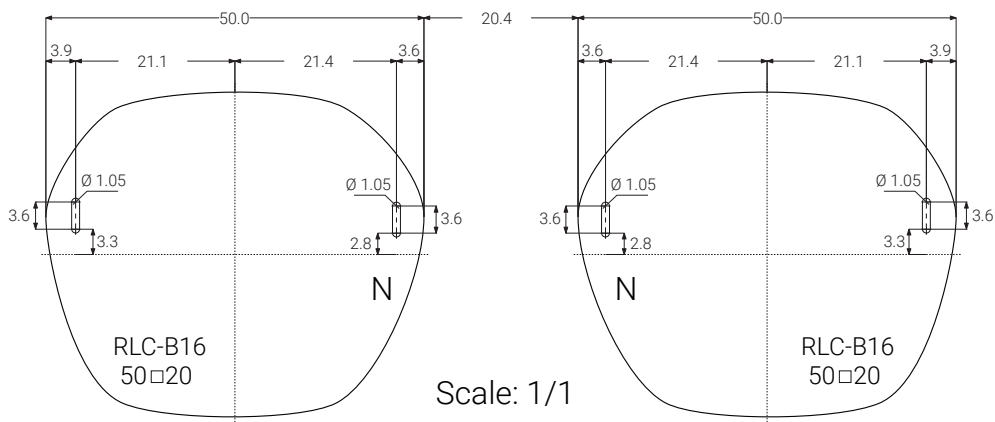


B-Form ALVAREZ - Slotting Coordinates (6/10)

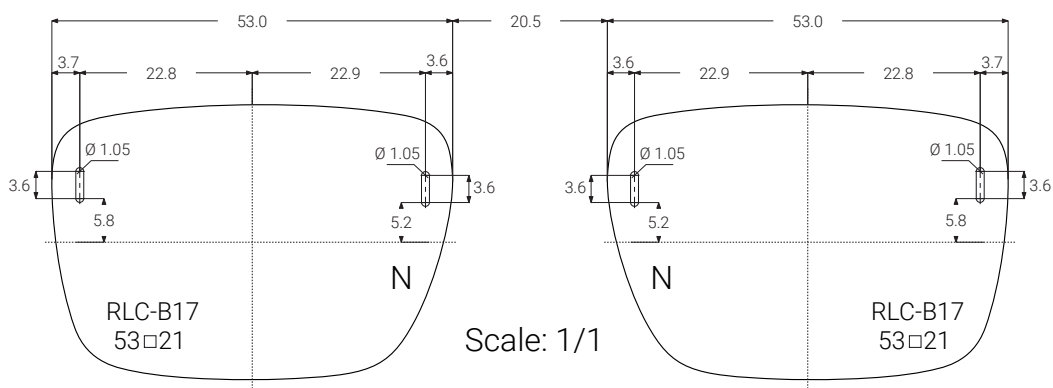


JOSÉ ALVAREZ

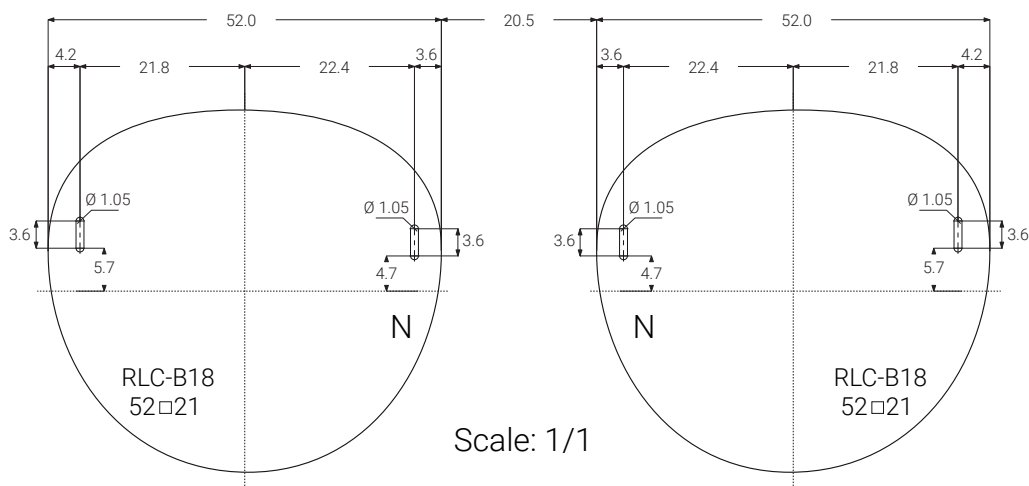
RLC-B16



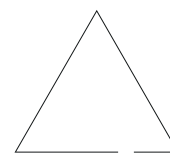
RLC-B17



RLC-B18

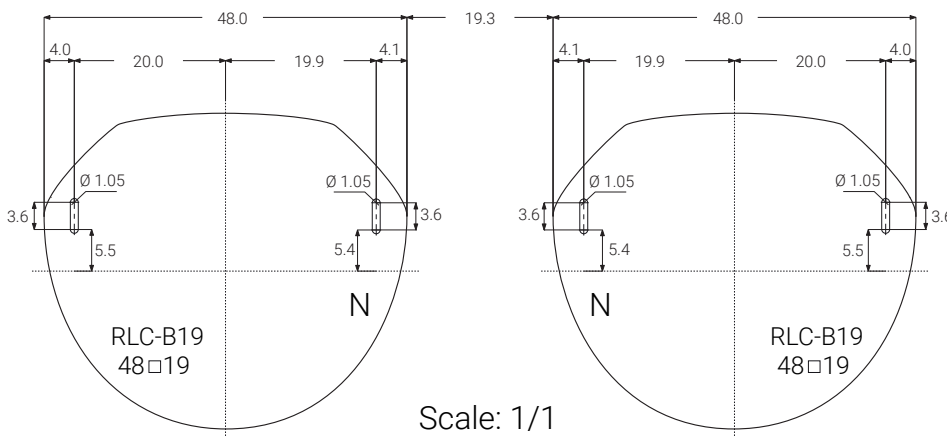


B-Form ALVAREZ - Slotting Coordinates (7/10)

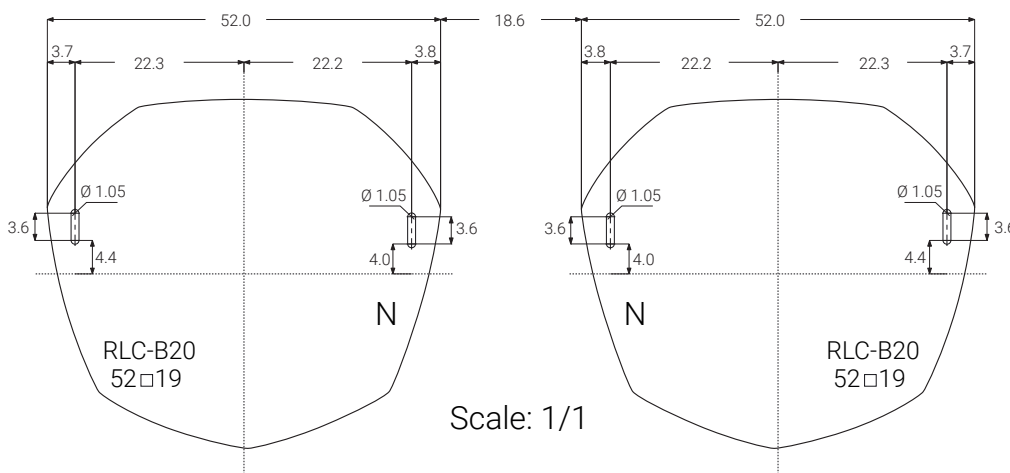


JOSÉ ALVAREZ

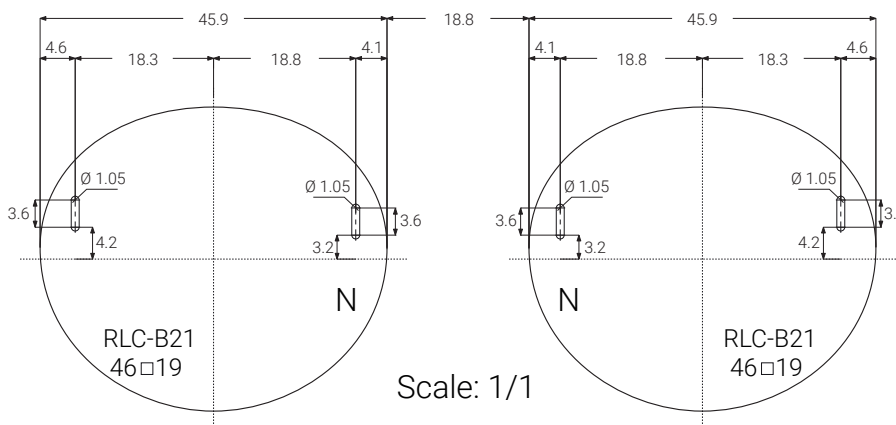
RLC-B19



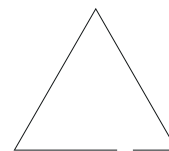
RLC-B20



RLC-B21

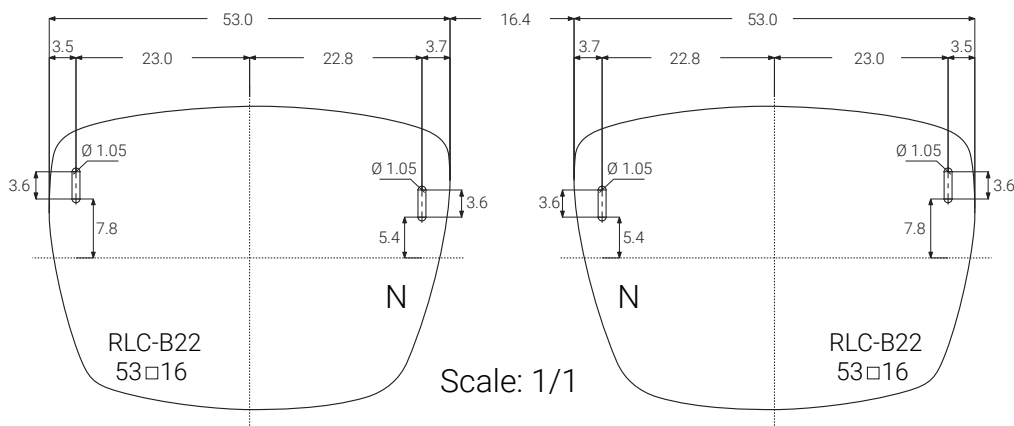


B-Form ALVAREZ - Slotting Coordinates (8/10)

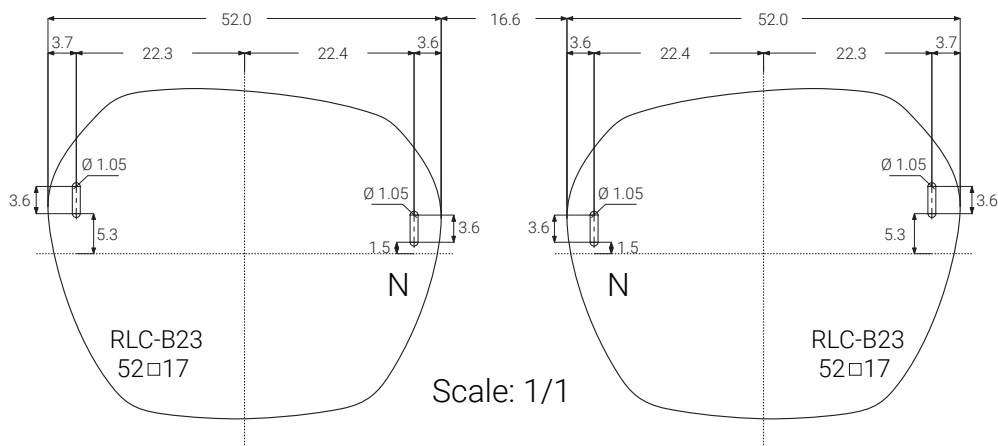


JOSÉ ALVAREZ

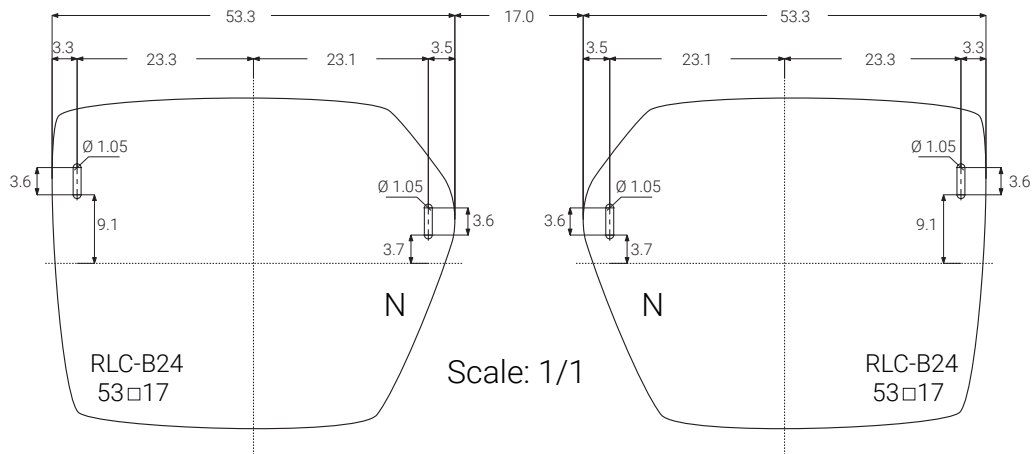
RLC-B22



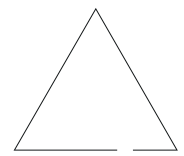
RLC-B23



RLC-B24

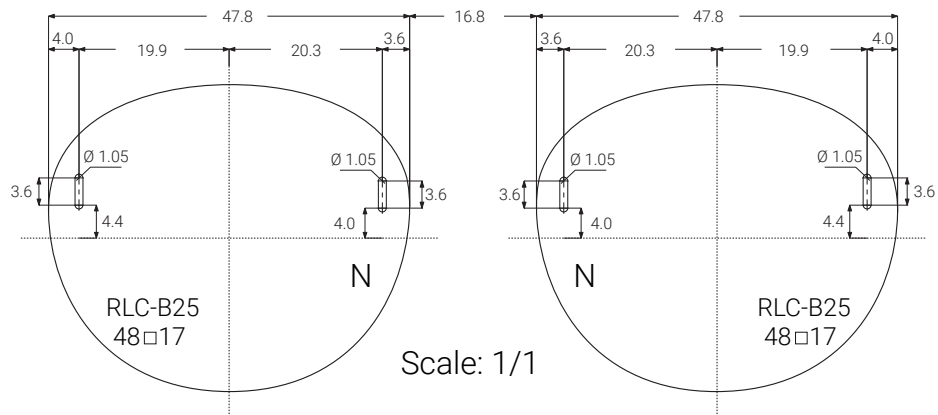


B-Form ALVAREZ - Slotting Coordinates (9/10)

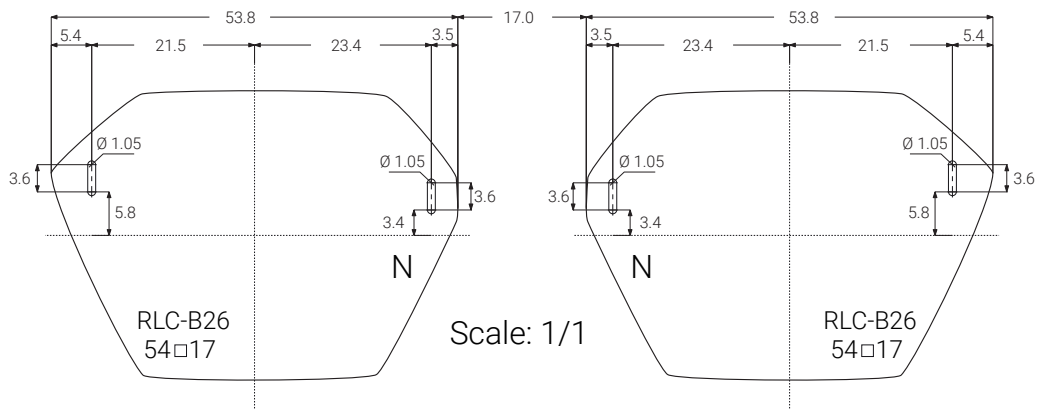


JOSÉ ALVAREZ

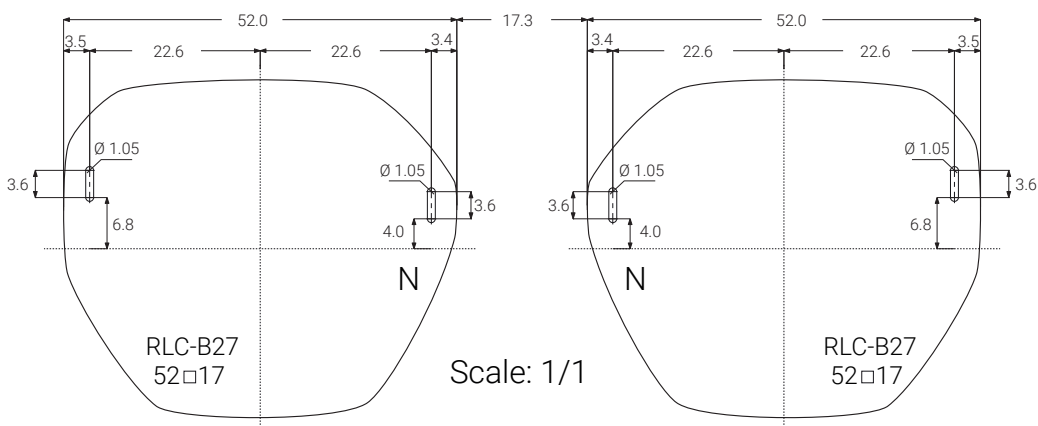
RLC-B25



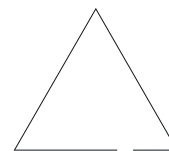
RLC-B26



RLC-B27

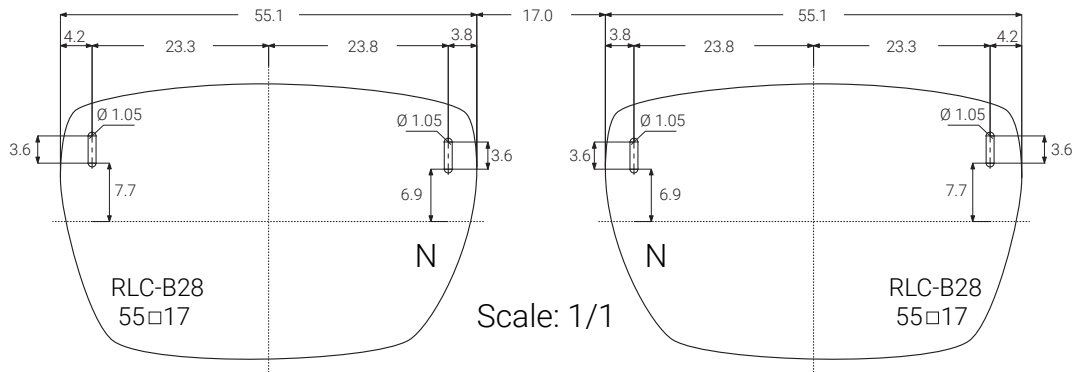


B-Form ALVAREZ - Slotting Coordinates (10/10)

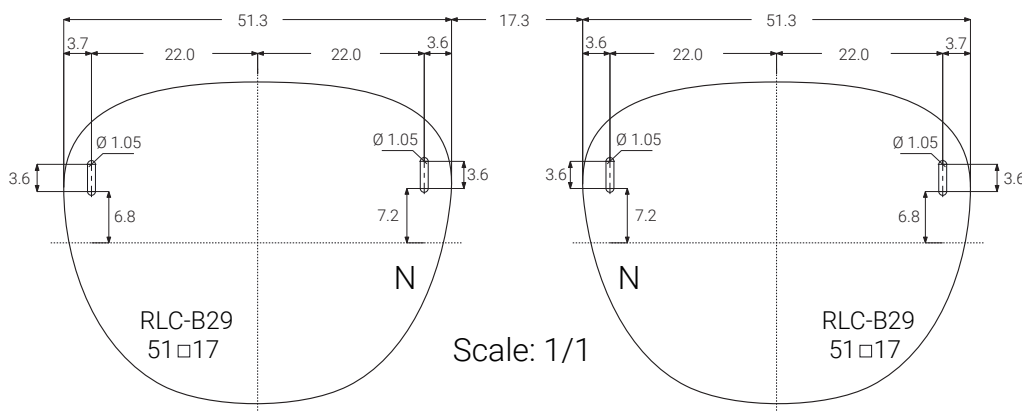


JOSÉ ALVAREZ

RLC-B28



RLC-B29



RLC-B30

